

Specification for Horn Speaker		Page	2/8
		Revision No.	1.0
Model No.	SH-89R8-7641	Drawing No.	KFC7641

## CONTENTS

1. Scope
2. General
3. Electrical and Acoustic Characteristics.
4. Reliability Test
5. Measurement Block Diagram & Response curve
6. Dimensions
7. Packing
8. Revision

Specification for Horn Speaker		Page	3/8
		Revision No.	1.0
Model No.	SH-89R8-7641	Drawing No.	KFC7641

## 1. Scope

This specification is applied to the Siren used for sounder in alarm systems. Please contact us when using this product for any other applications than described in the above.

## 2. General

- 2.1 Out-Diameter : 60 mm
- 2.2 Height : 25 mm
- 2.3 Weight : 250 g
- 2.4 Operating Temperature range:  
-40 ~+85 °C without loss of function
- 2.5 Store Temperature range:  
-40 ~+90 °C without loss of function

## 3. Electrical and Acoustic Characteristics.

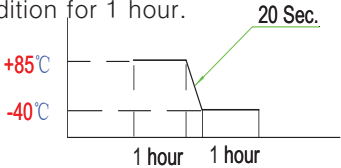
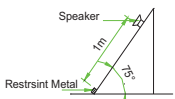
Test condition : 15 ~ 35 °C, 25% ~ 85% RH, 860~1060 mbar

No	Items	Specification
1	Impedance	8 Ω ± 20%
2	Sound Pressure Level	≥ 95 dB 1W /1m at1500Hz-2100Hz avg
3	Resonance Frequency	1500 Hz ± 20%
4	Frequency Range	FO ~4KHz
5	Input Power	Rated 15 W / Max. 20 W
6	Magnet size	Φ60*32*10 mm(Dia.*dia.*H)
7	Buzz and Rattle	Should not be audible buzzes,rattles when the 2.83 V sine wave signal swept at frequency range."
8	Polarity	When supplied plus D.C. voltage to (+) blue line, the diaphragm must move to forward.
9	Case Material/Color	PC/BLACK

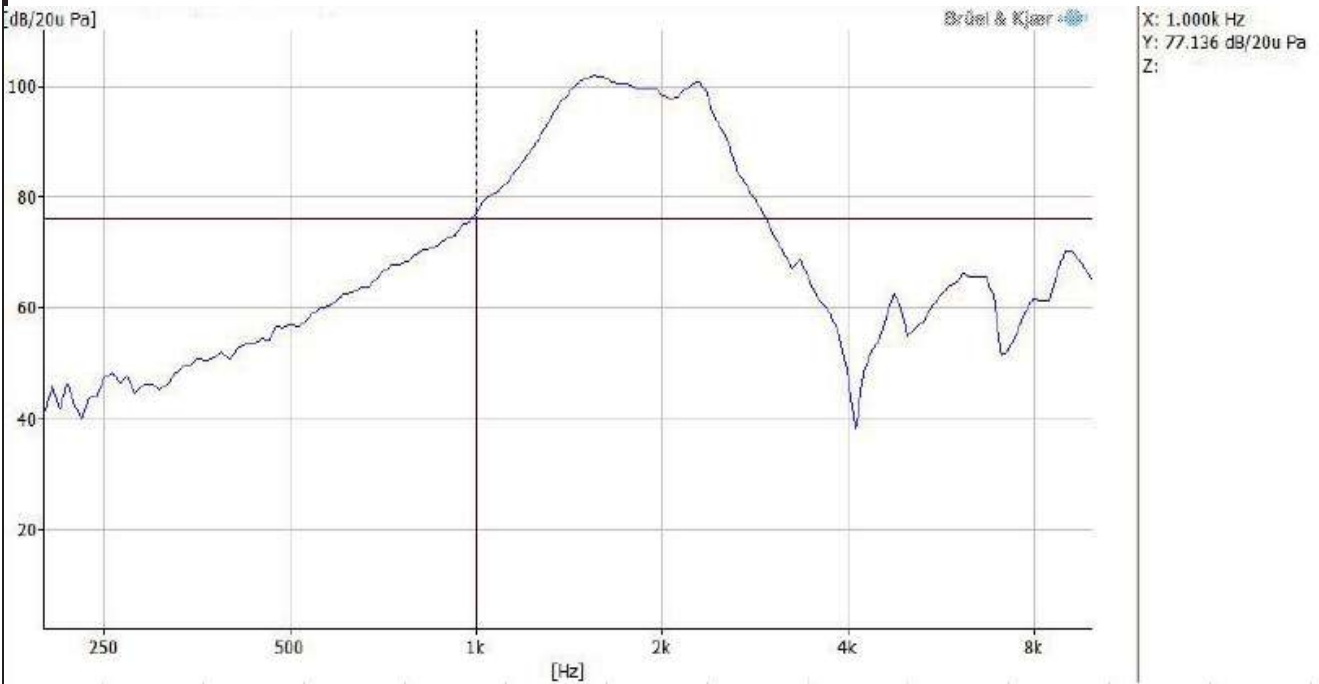
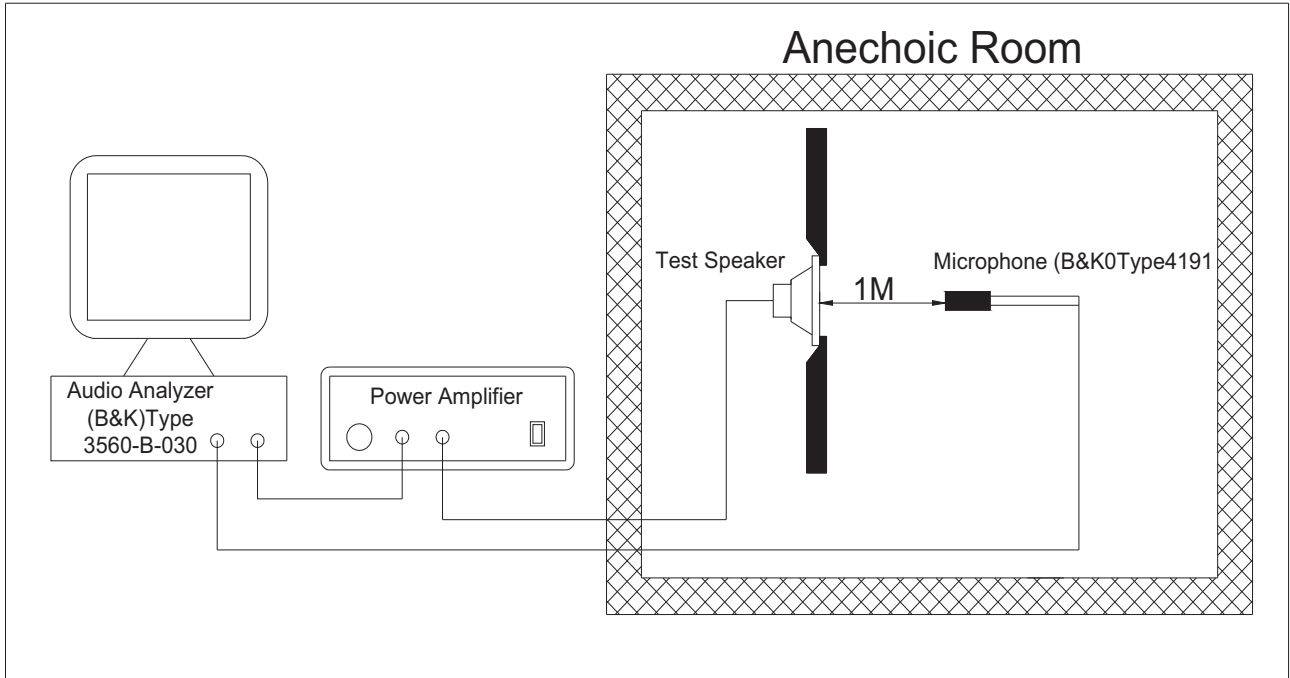
Specification for Speaker		Page	4/8
		Revision No.	1.0
Model No.	SH-89R8-7641	Drawing No.	KFC7641

#### 4. Reliability Test

After test(1~8item), the speaker S.P.L . difference shall be within  $\pm 10\text{dB}$ , and the appearance not exist any change to be harmful to normal operation (e.g. cracks,rusts,damages and especially distortion).

No	Items	Specification
1	High Temperature Test	After being placed in a chamber with $+90\pm 5\text{ }^\circ\text{C}$ for 48 hours and then being placed in natural condition for 1 hour, speaker shall be measured.
2	Low Temperature Test	After being placed in a chamber with $-40\pm 5\text{ }^\circ\text{C}$ for 24 hours and then being placed in natural condition for 1 hour, speaker shall be measured.
3	Humidity Test	After being placed in a chamber with 90 to 95%R.H. at $+40\pm 2^\circ\text{C}$ for 24 h and then being placed in natural condition for 1h , sounder shall be measured.
4	Thermal Shock Test	<p>After being placed in a chamber at <math>+85\text{ }^\circ\text{C}</math> for 1 hour, then speaker shall be placed in a chamber at <math>-40^\circ\text{C}</math> for 1 hour(1 cycle is the below diagram).</p> <p>After 10 above cycles, speaker shall be measured after being placed in natural condition for 1 hour.</p> 
5	Vibration Test	After being applied vibration of amplitude of $1.2\text{mm}$ with $10\text{ to }55\text{Hz}$ band of vibration frequency to each of 3 perpendicular directions for 8 hour, then placed in natural condition for 1 hour, speaker shall be measured.
6	Drop Test	<p>A speaker is dropped from 1m in length on <math>75^\circ</math> inclination and a magnetic circuit of speaker is hitted to the restraint metal.</p> <p>After the test, magnetic circuit should not drop out and speakr should be met the item 11,12.</p> 
7	Load test	After being applied loading white noise with input power $15\text{W}(9.49\text{Vrms.})$ for 96 hours, then placed in natural condition for 1 hour, speaker shall be measured.
8	Insulation test	When they are measured with DC 100V the insulation resistance between v.c. terminal and frame must be more than $1\text{ M}\Omega$

### 5. Measurement Block Diagram & Response curve



# Specification for Horn Speaker

Page

6/8

Model No.

SH-89R8-7641

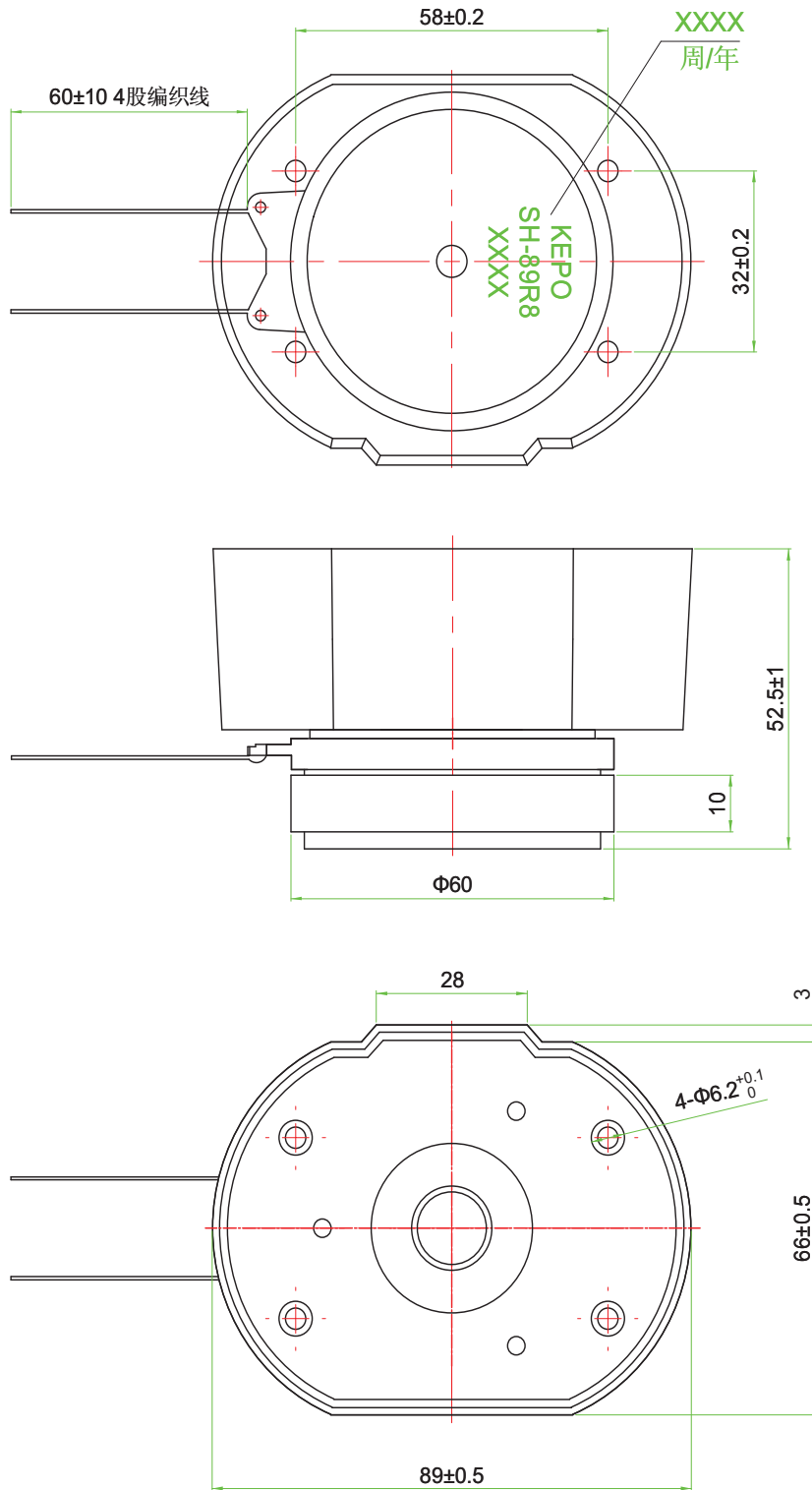
Revision No.

1.0

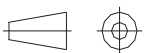
Drawing No.

KFC7641

## 7. Dimensions



FIRST ANGLE PROJECTION



UNIT : mm

Tolerance : ±0.5

# Specification for Horn Speaker

Page

7/8

Revision No.

1.0

Model No.

SH-89R8-7641

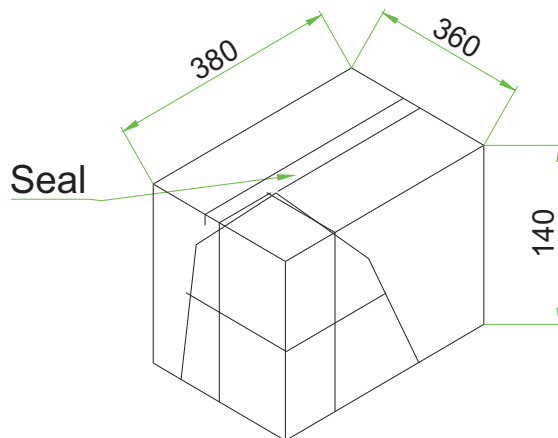
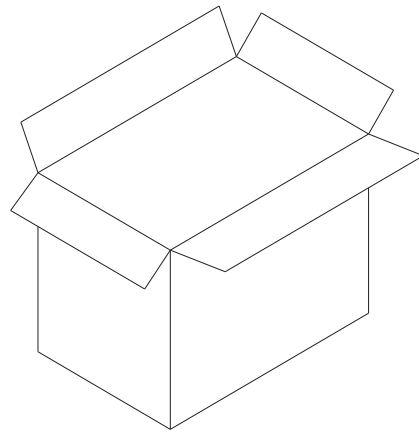
Drawing No.

KFC7641

## 8. Packing

Each minimum package unit of products shall be in a carton box and it shall be clearly marked with Part Number ,quantity and outgoing inspection number.

There shall be no mechanical damage on products during transportation and/or in storage.



QTY: 24Pcs

380×360×140mm

Specification for Horn Speaker		Page	8/8
Model No.	SH-89R8-7641	Revision No.	1.0
		Drawing No.	KFC7641

### 9. Revision

Rev. No.	DATE	PAGE	DESCRIPTION	BOM
1.0	2015.03.20		Primary	